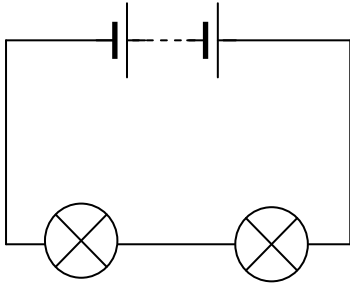


1. Answer =

6V

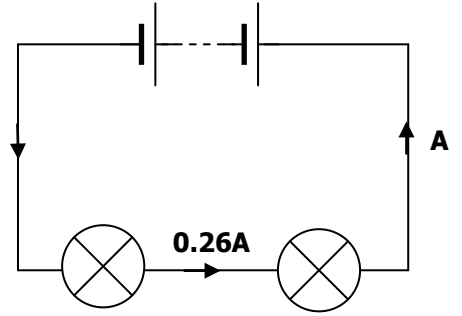
Name the type of circuit?



2. Answer =

Ammeter

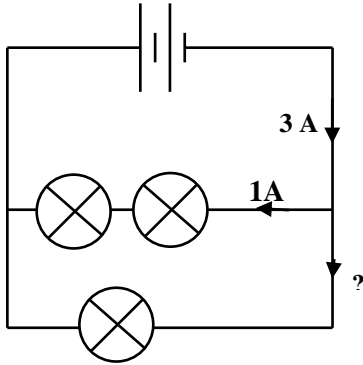
What is the current at position A?



3. Answer =

Voltmeter

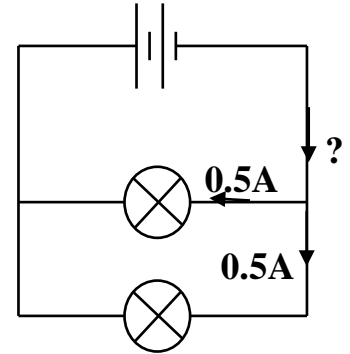
What is the value of the missing current?



4. Answer =

CELLS FACING

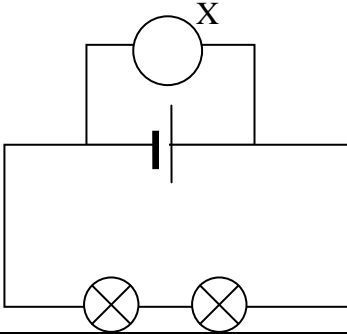
What is the value of the missing current?



5. Answer =

1V

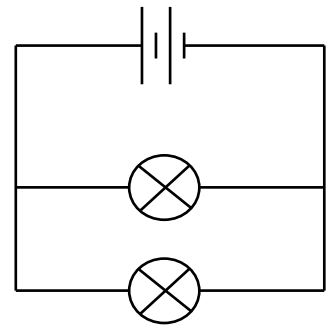
What type of meter is X?



6. Answer =

0.26A

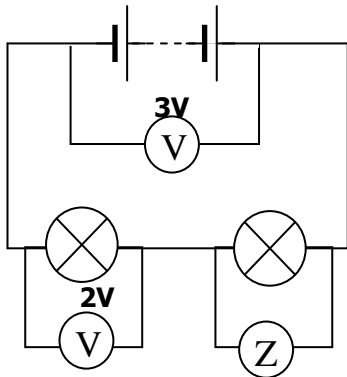
Name the type of circuit?



7. Answer =

PARALLEL

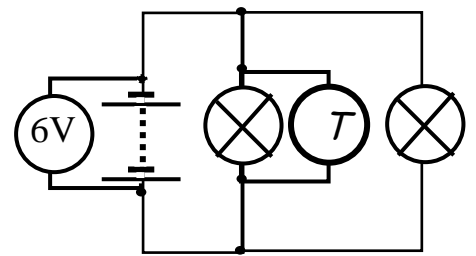
What is the reading on meter Z?



8. Answer =

2A

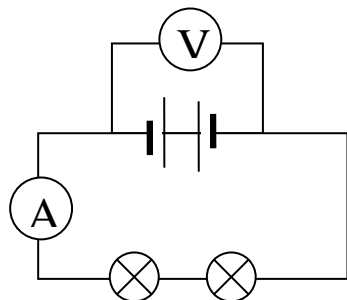
What is the reading on meter T?



9. Answer =

SERIES

Name the fault



10. Answer =

1.0 A

What type of meter is Y?

