

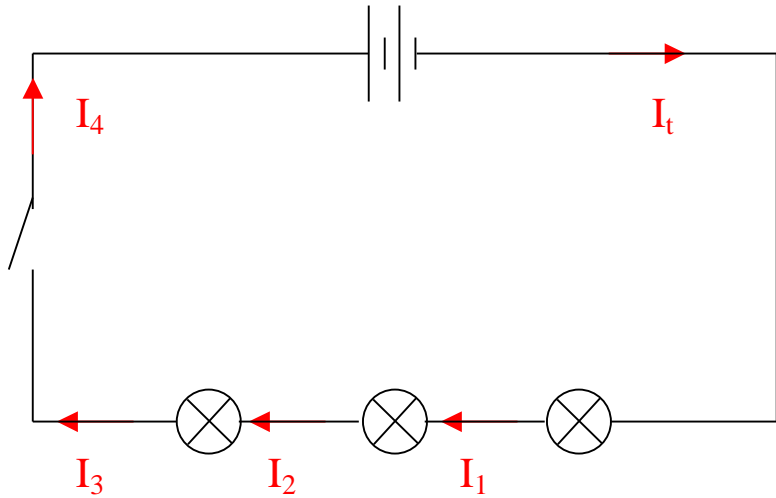


Ohm Comforts



MEASURING CURRENT IN A SERIES CIRCUIT

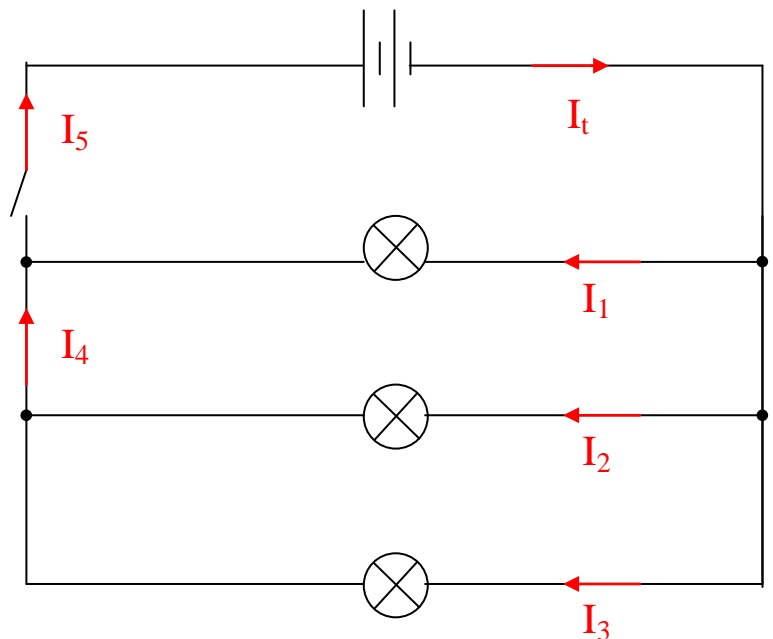
Position	Current (A)
I_t	
I_1	
I_2	
I_3	
I_4	



Conclusion:
In a series circuit the current

MEASURING CURRENT IN A PARALLEL CIRCUIT

Position	Current (A)
I_t	
I_1	
I_2	
I_3	
$I_4 (I_1+I_2)$	
I_5	



Conclusion In a PARALLEL circuit
the current

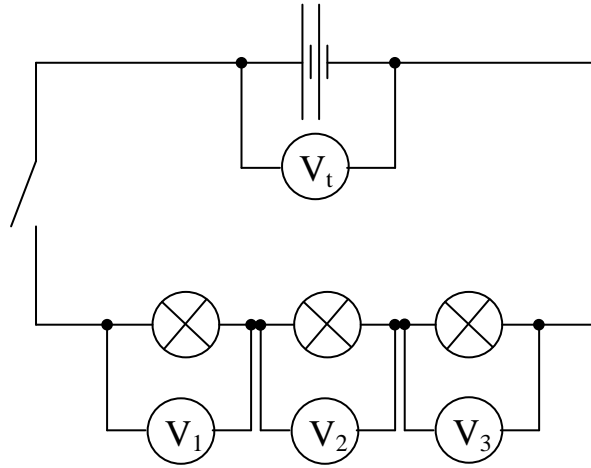


Ohm Comforts



MEASURING VOLTAGE IN A SERIES CIRCUIT

Position	VOLTAGE (V)
V_s	
V_1	
V_2	
V_3	



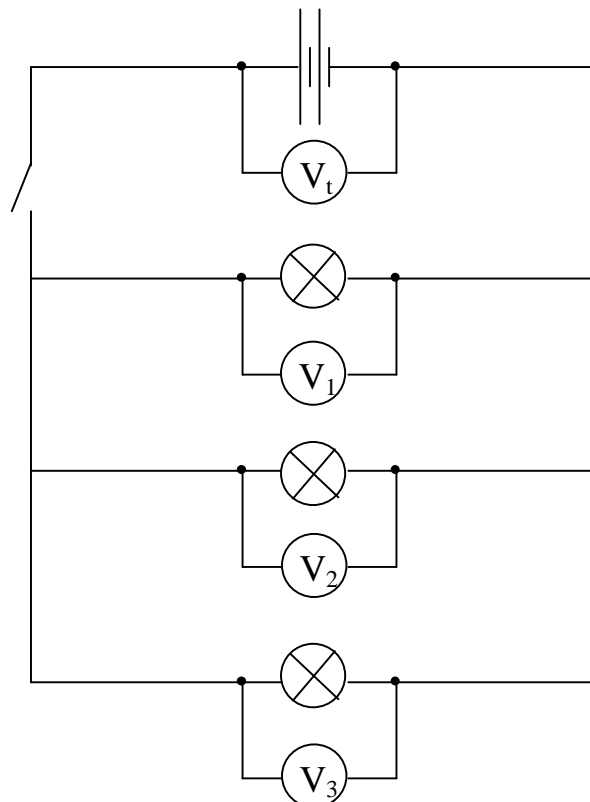
Conclusion

In a series circuit the voltages across the components

REMEMBER VOLTMETERS ARE CONNECTED IN PARALLEL, AMMETERS ARE CONNECTED IN SERIES

MEASURING VOLTAGE IN A PARALLEL CIRCUIT

Position	VOLTAGE (V)
V_s	
V_1	
V_2	
V_3	



Conclusion. In a parallel circuit the voltage in each branch