

	Chemical energy drives the current (eg battery)
	Heat energy drives the current (eg temperature sensor in an oven)
	Mechanical vibrations drive the current (eg acoustic guitar pickup)
	Light energy drives the current (eg solar panels on a house)
	Changes in magnetic field drive the current (eg power stations)

Calculate the current in the parallel circuit and voltage in the series circuit

Definition of power and the three relationships used to calculate power

	Series	Parallel
Current		
Voltage		
Resistance		

Explain Ohms law

Complete the circuit rules

Current, potential difference, power, and resistance

Complete sources of emf

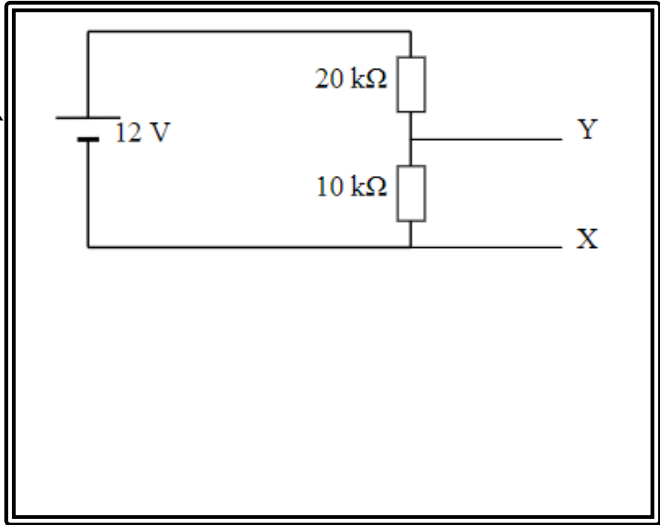
Definition of electromotive force

$$\frac{V_1}{V_2} =$$

Definition of potential difference



Calculate V across point XY



Definition of current

Definition of resistance

What is relationship R_{total} in series circuits

What is relationship R_{total} in parallel circuits

What is relationship to solve problems in potential divider circuits.

